

Roll to roll label printing on demand, quickly and easily!

**CMYK**  
DIGITAL PRINTING PLUS  
**uvWhite**



CMYK PRINTING



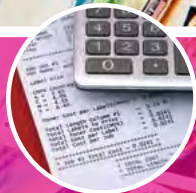
+ uvWHITE TONER PRINTING



CLASS-LEADING GHS CERTIFICATION



VARIABLE DATA



INTEGRATED JOB COSTING



DIE CUT & CONTINUOUS ROLL MEDIA



**GHS**  
The Globally Harmonized System  
of Classification and Labeling of Chemicals





# LP215

DIGITAL LABEL PRINTER

Compact enough to sit on a desktop, the LP215 prints onto a vast array of die-cut, matrix removed and retained media as well as continuous roll substrates.

With GHS Classification and the ability to print full colour with under-printed solid UV White - the LP215 is now more than ever, the ideal on-demand label printer.

Perfect for short to medium production runs, printing up to 2,000 labels in less than 20 minutes, the LP215 is supplied with easy-to-use label management software for drag and drop design layouts, imposition of PDF graphics and complete job costing.

Add iVDP, for variable data printing, to expand your print customisation offering.

### Applications include:

- Food and beverage packaging
- Cosmetics and personal care
- Pharmaceutical and healthcare
- Logistics and transport
- Industrial, chemical and special products
- Horticultural tagging
- Multi-language print jobs
- Personalisation

### Print onto a wide variety of media substrates:

- Die-cut matrix removed
- Die-cut matrix retained
- Continuous roll stock
- Horticultural tag stock
- Approved films
- Approved synthetics
- Add single pass white toner

## Printer benefits

### LP215

#### 1. Sophisticated simplicity

Although simple to use, the Intec LP215 is actually a very sophisticated piece of equipment. Built-in reflective sensors enable the system to detect different substrates, allowing you to print onto a wide variety of matrix removed labels of differing shapes and sizes and back marked stock.

#### 2. No more laminating or finishing!

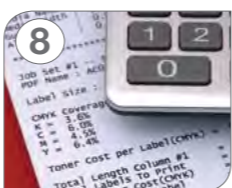
Print straight onto polyester and synthetic based stocks for food and beverage, special requirement and Industrial chemical labeling.

#### 3. Small but perfectly formed

Having a small footprint and compact design ensures the LP215 will easily fit in any busy production environment. Boasting a built in feeder and rewinder as well as cutterblade for end of job cutting, ensuring no need for additional equipment.

#### 4. Use media to its full potential

No need to spend time cutting labels post production, simply use an approved die-



cut matrix removed label stock.

Matrix retained and continuous stocks can also be used.

#### 5. Workflow is king

Quickly and easily import PDF artwork into the supplied file management software which automatically paginates your design to fit your roll width. Providing you with complete control over your print job, allowing you to alter gutters, margins and run off.

#### 6. UV White toner

Add under-printed white toner to your designs, perfect for clear substrates, security items or coloured stocks.

#### 7. Variable data

The iVDP\* plug in offers you the capability to add variable data to your labels in the form of variable text, bar codes, sequential numbering, batch codes, date codes, images, etc.

*\*Optional module, can be purchased anytime!*

#### 8. Precise job costing - built in

To understand the full cost of your label run simply generate a cost report using the integrated Job Costing Module. The module takes into account your toner and other consumables usage as well as label stock costs.

## Add uvWhite toner to your print

### uvWhite toner label printing

**uvWhite toner.** With the 'Intec LP215 White' label printer, you can now print on a wide range of roll media in vibrant full colour and with the option of printing uvWhite or standard white, on clear gloss, coloured and transparent stocks – a process which previously could only be achieved on very expensive specialist printing equipment. Providing excellent opacity, you can choose to under-print or add spot white elements to your labels. uvWhite is interchangeable with the low-cost black toner for cost-effective, standard four colour process labels.

## Software & Certified Media Library

The label workflow package is a fully featured, easy-to-use software solution designed exclusively for use with the LP215 on demand label printer. The drag and drop, snap to grid layout allows for quick imposition of PDF graphics and combined with quick changeover technology, makes light work of label production.

- User defined layouts and media management
- Conventional or die-cut media layout
- RIP rotation, scaling, mirror imaging and nesting capabilities
- Toner coverage and cost calculator per label and per job
- Multi-up costing for different graphics on the same layout
- Edge to edge printing on die-cut rolls
- Full colour management Harlequin® RIP
- Certified Media Library includes a wide variety of certified substrates
- Easy to use WYSIWYG design interface
- Over 4,000 pre-formatted barcodes
- Numerous graphic formats
- Horizontal and vertical sequential layout
- CSV file and data importing

## GHS, BS5609 and IMDG Certification

The Globally Harmonized System of Classification of Labeling of Chemicals (GHS) is an international system created by the United Nations to ensure consistency for the labeling of dangerous goods. British Marine Standard BS5609 is a requirement for self adhesive drum labels needing International Maritime Dangerous Goods (IMDG) certification for shipment. In order to meet the requirements for sections 1, 2 and 3 of the BS5609 standards, the labels are exposed to artificial weathering, tape removal and abrasion resistance tests to ensure they are capable of withstanding the harshest environments.

Suitable label stocks have been approved for use with the LP215\*; a white matte PET (Polyethylene terephthalate) and a BOPP (Biaxially Oriented Polypropylene Film) and more! All products passed the rigorous testing regime carried out by PIRA, the Print Industry Research Association. Labels printed on the LP215 deliver outstanding stability and resistance to water, chemicals, fading and smudges and still remain identifiable for at least 3 months after being immersed in the sea.

## System and Software Options

### Variable Data Printing\* iVDP

iVDP\* allows users to expand their print capabilities and further meet customers needs for mass customisation in their design and message.

The built in Pantone® library and colour management tools offer clean and crisp high resolution graphics and eliminates the need to pre-print labels. Users will be able to increase productivity, reduce inventories and decrease lengthy lead times by incorporating variable data printing into their workflow.

*\* optional module not supplied with printer*

## Expand your label print solution

To provide you with a fully integrated, small footprint label printing solution why not add a customised POD – housing a bespoke hardware RIP platform? Residing on the RIP station is your pre-installed file management and workflow software, that is able to accept files from Mac and PC, creating a compact and powerful label printing solution that is truly in a class of it's own!





## LP215 Printer supplied with:

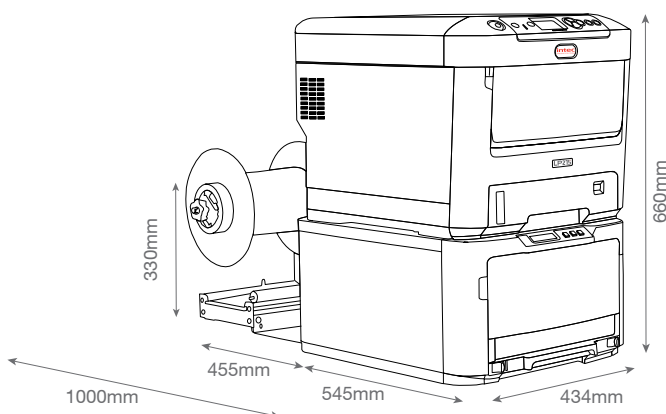
Rewinder and Unwinder, File Management Software, Toner Starter kit (cmyk), Drum set (cmyk), Fuser, Transfer Belt and Test Roll.

Printer Specifications	
Print Speed	9.14 metres / mins (30ft/min)
Print Technology	Single Pass 4 Colour LED (CMYK)
Printer Processor	CPU: 533 MHz Memory: 512MB Hard Disk: 40GB Internal
Media Width	Maximum Roll Width: 216mm (8.5") Minimum Roll Width: 152.4mm (6.0")
Print Width	Maximum 209.3mm (8.24")
Print Length	Up to 213.4m (700ft)
Substrate Types	Self-adhesive label stock. Die-cut label stock. Kiss-cut label stock. Non die-cut label stock. Tag stock. Approved films. Approved synthetics.
Print Quality	1200 x 600dpi
Toner Supplies	CMY - 11,500 pages at 5%. K - 11,000 pages at 5% (rated according to ISO/IEC 19798 guidelines) Printer ships with a set of starter toners
Consumables	Drums: CMYK - 30,000 pages at 5% (rated according to ISO/IEC 19798 guidelines) Fuser: 60,000 Transfer Belt: 60,000 White Toner and Drum Kit - 11,000 pages at 5% (rated according to ISO/IEC 19798 guidelines)
Feeder System	Input roll maximum diameter: 203mm (8"). Core inside diameter: 76.2mm (3"). Maximum input roll weight: 6.35kg (14lbs) Cut on the fly, auto cut. Auto page width registration. Front panel LCD interface. Web management system torque. Auto adjusting from synchronisation
Rewinder System	Output roll maximum diameter: 203mm (8"). Core inside diameter: 76.2mm (3"). Maximum input roll weight: 6.35kg (14lbs)
Software	EDGE2Print utilising a Harlequin® RIP
Cutter	Rotary wheel for end of print-run cutting
Dimensions (HxWxD)	Printer and Feeder: 660mm x 434mm x 545mm (25.98" x 17.08" x 21.45"). Rewinder: 330mm x 450mm x 455mm (12.99" x 17.71" x 17.91")
Weight	Printer and Feeder: 49.9kg (110lbs). Rewinder: 12.54kg (27.65lbs)
Operating Environment	Temperature: 10 °C to 20 °C (50 - 89.6 °F). Humidity: 20% to 60% RH
Power (Typical)	220 - 240 VAC, 50/60 Hz at 1150W
Certifications	FCC Class A, CE, cTUVus, CCC
Warranty	12 months
System Requirements	CPU Intel Xeon E5-1650 @ 3.20GHz, or Intel Quad Core, 6MB on board cache RAM 12GB RAM (minimum) HD 150GB SATA 10K or 15K RPM OS Windows 7 Professional or Ultimate 64-bit
Options	iVDP Variable data software White toner printing option RIP POD - custom build RIP station housing a powerful hardware platform and pre-installed file management software LCF215 label finisher LabelPro Slitters S100S and S200S for off-line roll slitting

ROLL TO ROLL  
LABEL PRINTING  
Digitally  
print labels  
at up to:  
**9.14** m/min

Intec Printing Solutions Limited ensures superior quality and resolution, as well as greater consistency and repeatability for the Intec LP215. The Intec LP215 is designed and engineered to operate with approved qualified consumables and the Certified Media Library.

## LP215 Printer footprint



## LP215 Roll dimensions

